



Occupancy & Vacancy Sensors & Timers

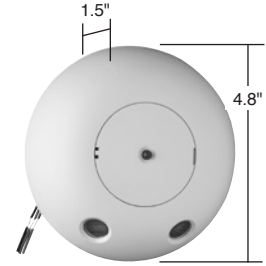
Commercial Occupancy Sensors

Ultrasonic Ceiling Mount

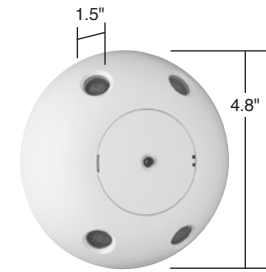
Pass & Seymour



Features	
<ul style="list-style-type: none"> Advanced signal processing circuitry helps to eliminate false ONs. Utilizes advanced, omni-directional (360°), Doppler technology for reliable occupancy detection. Angled transmitter and receiver pairs help optimize sensitivity while eliminating unwanted detection from ceiling air movement. Digital DIP switch time delay (15 seconds to 30 minutes). 	<ul style="list-style-type: none"> LED indicates occupancy detection. Reliable solid-state construction. Temperature and humidity resistant 32 kHz receivers. Mounts to ceiling tiles or box. Units per power pack: up to 4. cULus listed. 5-year warranty.



CSU600

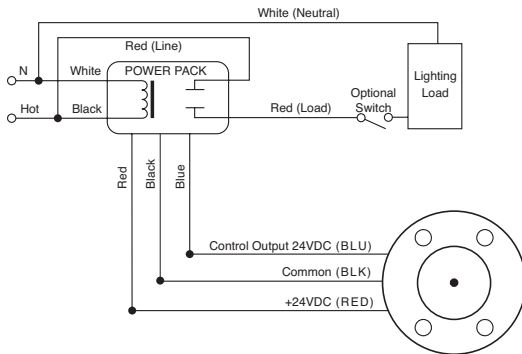


CSU1100
CSU2200

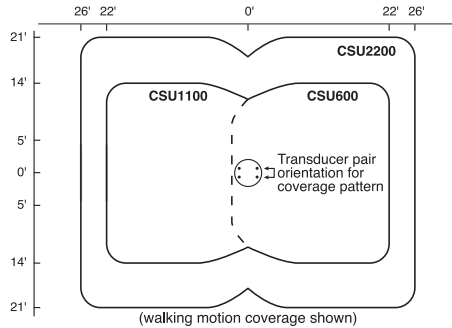
Catalog Number	Description	Rating	Coverage	Override and Output Disable	Color
NEW Ultrasonic Ceiling Mount Sensors					
CSU600	Ultrasonic Occupancy Sensor	24VDC Input, requires Power Pack 27mA	360°, 500 sq. ft. One-sided	Yes	White
CSU1100	Ultrasonic Occupancy Sensor	24VDC Input, requires Power Pack 30mA	360°, 1100 sq. ft. Two-sided	Yes	White
CSU2200	Ultrasonic Occupancy Sensor	24VDC Input, requires Power Pack 30mA	360°, 2200 sq. ft. Two-sided	Yes	White

Reference Page M-15 for Power Packs.

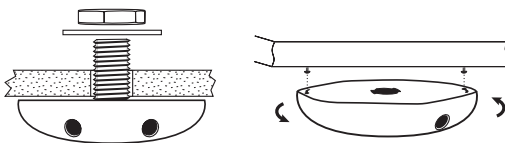
CSU600/CSU1100/CSU2200 Wiring



Coverage



Mounting



Attached to a vibration-free surface. Mount the sensors with the receivers facing the area of coverage. Note: Place 4' away from supply ducts, 6' from horizontal discharge ducts, and 6" from power packs.

DIP Switch Settings

	DIP Switch #					
	1	2	3	4	5	6
● = ON - = OFF						
Time Delay						
15 seconds	●	-	-	-	-	-
2 minutes	-	●	-	-	-	-
4 minutes	-	-	●	-	-	-
6 minutes	-	●	●	-	-	-
8 minutes	-	-	-	●	-	-
10 minutes	-	●	●	●	-	-
12 minutes	-	-	●	●	●	-
14 minutes	-	●	●	●	●	-
*16 minutes	-	-	-	●	●	-
18 minutes	-	●	-	●	●	-
20 minutes	-	-	●	●	●	-
22 minutes	-	●	●	●	●	-
24 minutes	-	-	-	●	●	-
26 minutes	-	●	●	●	●	-
28 minutes	-	-	●	●	●	-
30 minutes	-	●	●	●	●	-
Output Disable	-	-	-	-	-	-
Override	-	-	-	-	-	●

* = factory preset

Technical Specifications on Page U-131.

All devices listed on this page conform to NEMA WD-1 and WD-6.